
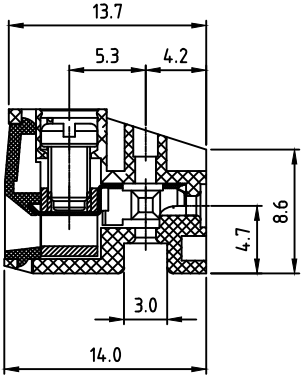
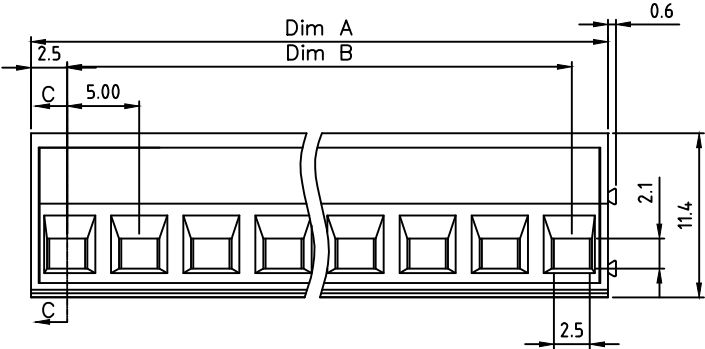
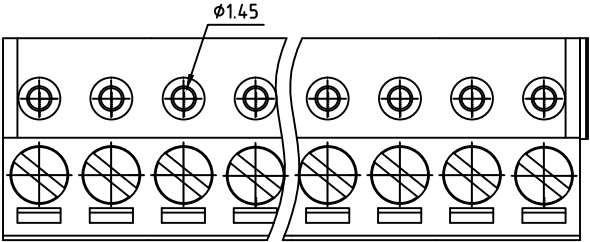


# SPECIFICATIONS

- Voltage Rating: 300VAC
- Current Rating: 10 Amps
- Dielectric withstanding: 1.6KV
- Operating Temperature: -40°C to +115°C
- Contact Material: PhBz, Tin or Au Plated
- Terminal Screw: Steel Zinc plating "-" slot type
- Insulator Material: Thermoplastic, UL 94V-0
- Wire Range:
- Wire Strip Length: 5-6mm
- Solid/Stranded Wire: 16-22 AWG
- Torque: 1.7Lb-In
- Clamp: Brass(CuZn) Ni plated
- Screw: M3
- Safety Approval: 



**RPGG- xx J A x x-FG**

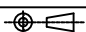
- No. OF POLES
  - 04: 04 POLES
  - ...
  - 24: 24 POLES
- FG: RoHS Compliant  
PB<40000ppm
- J: STACKABLE
- A: SOLID BLOCK
- COLOR
  - J: Black(RAL9005)
  - B: Red(RAL3001/D)
  - C: Orange(RAL2011/P)
  - D: Yellow(RAL1018/A)
  - E: Green(RAL6018/T)
  - F: Blue(RAL5015/A)
  - H: Grey(RAL7035/D)

Dimensions	
A	Nx5.0
B	(N-1)x5.0
Poles	Tolerance
4P-8P	±0.15
9P-12P	±0.20
13P-18P	±0.30
19P-24P	±0.40

**APTOS Technology CONFIDENTIAL**  
 This document, and all information it contains, are the confidential, proprietary property of APTOS Technology. Disclosure, duplication or distribution of this document, or any information it contains, in whole or part, without prior written permission from APTOS Technology is strictly prohibited

GENERAL TOLERANCE UNLESS OTHERWISE SPECIFIED	
XXX. ± X	.XX ± 0.10
XX. ± X	.XXX ± X
X. ± 0.50	X.' ± 1"
.X ± 0.30	.X" ± 1"



REV. A	DRAWN	02/03/06	RPGG Series 5.00mm Term. Block - Solid Block
DATE 02/03/06	CHECKED		
SCALE As shown	APPROVED		PRODUCT NO. RPGG-XXJAXX-FG
UNIT mm		SIZE A4	FILE NAME: RPGG-XXJAXX-FG LF APD.DWG